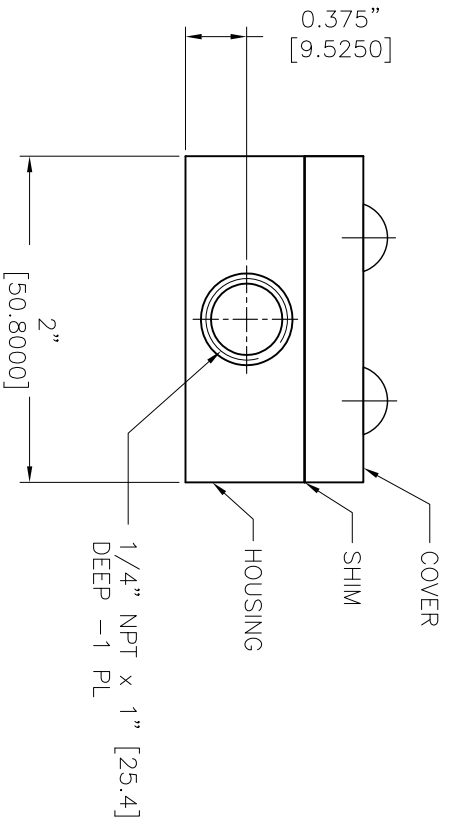
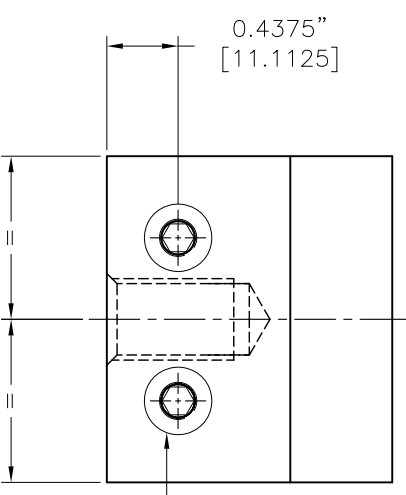
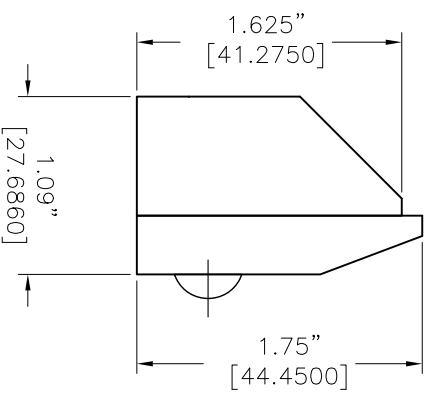


- NOTES:
- 1 ALL DIMENSIONS SHOWN ARE FINISH OPERATIONAL DIMENSIONS WHICH INCLUDE RESIDUAL COATINGS UNLESS OTHERWISE SPECIFIED.
 - 2 PART TO BE PACKED PROPERLY TO AVOID ANY DAMAGE WHILE SHIPPING & HANDLING.
 - 3 ALL HORIZONTAL DIMENSIONS ARE SYMMETRICAL ABOUT CENTER LINE UNLESS OTHERWISE SPECIFIED.



MATERIAL
SS 304

REQUIREMENTS-UNLESS OTHERWISE SPECIFIED		CONTRACT NUMBER -		NEX FLOW AIR PRODUCTS CORP.	
GENERAL		CLIENT	DATE	10520 YONCE STREET, UNIT 358-220, RICHMOND HILL, ON L4C 3C7	
1. DIMS ARE IN INCHES (MM)	1. DIMENSIONS AND TOLERANCING IN ACCORDANCE WITH ASHISH TR-4.3 (TR-82)	CONTRACTOR	28/10/2013	TEL: (416) 410-1313 & FAX: (416) 410-1806 WWW.NEX-FLOW.COM	
2. DIMENSIONS AND TOLERANCING IN ACCORDANCE WITH ASHISH TR-4.3 (TR-82)	3. HORIZONTAL DIMENSIONS ARE SYMMETRICAL ABOUT CENTER LINE UNLESS OTHERWISE SPECIFIED.	DATE	28/10/2013	TITLE	
3. HORIZONTAL DIMENSIONS ARE SYMMETRICAL ABOUT CENTER LINE UNLESS OTHERWISE SPECIFIED.	4. BREAK SHARP CORNERS .005 TO .015 UNLESS OTHERWISE SPECIFIED.	STRESS	ASHISH	2" X-STREAM AIR BLADE AIR KNIFE	
4. BREAK SHARP CORNERS .005 TO .015 UNLESS OTHERWISE SPECIFIED.	5. BREAK SHARP CORNERS .005 TO .015 UNLESS OTHERWISE SPECIFIED.	MANUFACTURING	CA	SIZE	10002XS
5. BREAK SHARP CORNERS .005 TO .015 UNLESS OTHERWISE SPECIFIED.	6. DIMENSIONS AND TOLERANCING IN ACCORDANCE WITH ASHISH TR-4.3 (TR-82)	MATERIALS	CA	CAGE CODE	10002XS
6. DIMENSIONS AND TOLERANCING IN ACCORDANCE WITH ASHISH TR-4.3 (TR-82)	7. DIMENSIONS AND TOLERANCING IN ACCORDANCE WITH ASHISH TR-4.3 (TR-82)	ELECTRICAL	CA	DWG NO	10002XS
7. DIMENSIONS AND TOLERANCING IN ACCORDANCE WITH ASHISH TR-4.3 (TR-82)	8. DIMENSIONS AND TOLERANCING IN ACCORDANCE WITH ASHISH TR-4.3 (TR-82)	SCALE	1:1	CAD NO	YAKS-02
8. DIMENSIONS AND TOLERANCING IN ACCORDANCE WITH ASHISH TR-4.3 (TR-82)	9. DIMENSIONS AND TOLERANCING IN ACCORDANCE WITH ASHISH TR-4.3 (TR-82)	SHEET	1	REV	1
9. DIMENSIONS AND TOLERANCING IN ACCORDANCE WITH ASHISH TR-4.3 (TR-82)	10. DIMENSIONS AND TOLERANCING IN ACCORDANCE WITH ASHISH TR-4.3 (TR-82)	OF	1		